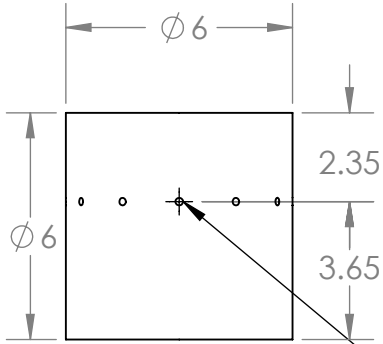


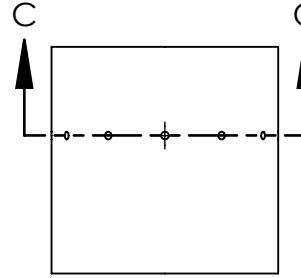
2

1

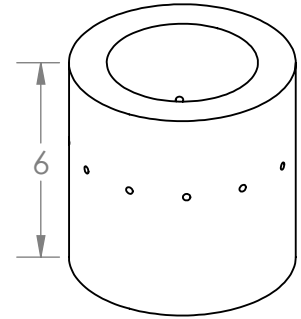
Front View



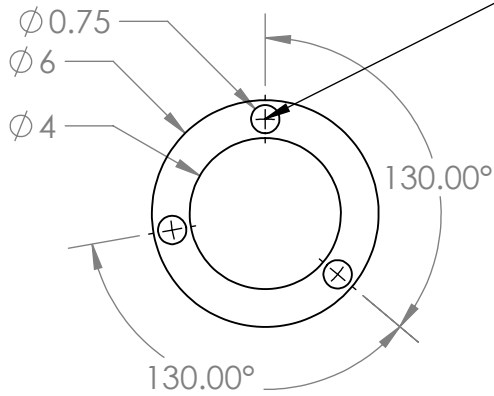
Front View



Isometric View

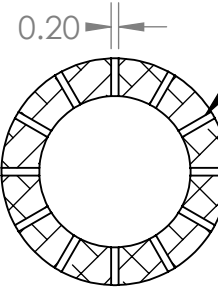


Projected Bottom View



Primary magnet hole is directly beneath the frontal screw hole.

these three holes: 1/4" diam and 1/16" deep, with flat bottom



12 evenly spaced 2/56 screw holes

SECTION C-C

B

B

A

A

SIZE TITLE: MW LAB

A 12NozzleTop

2

1

4

3

2

1

Top View

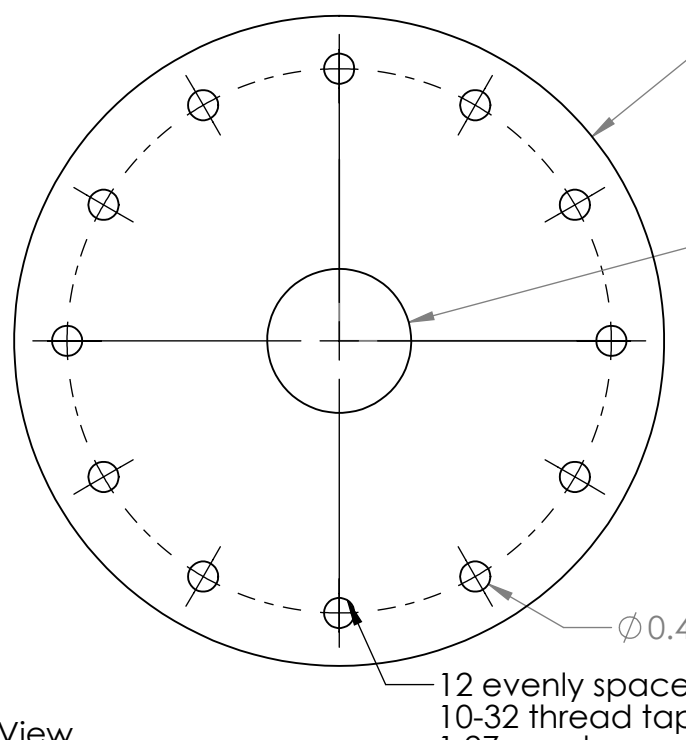
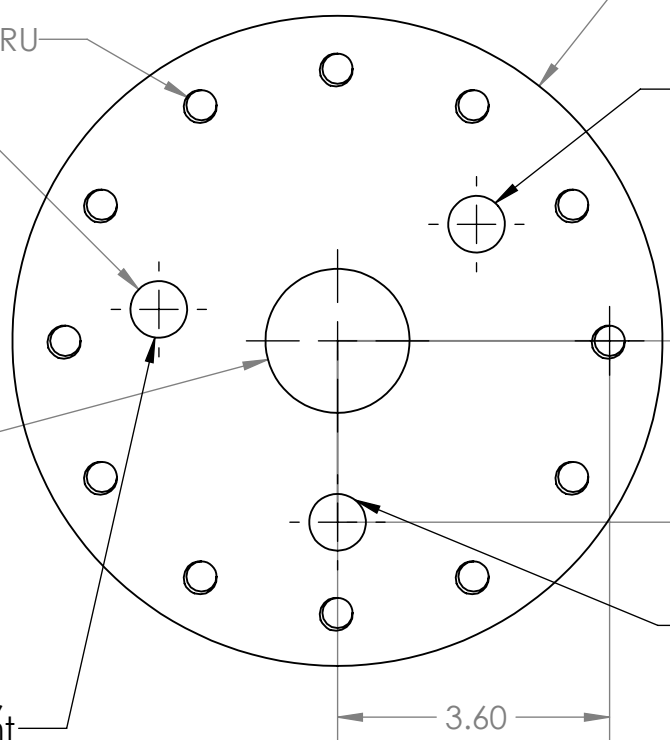
Bottom View

B

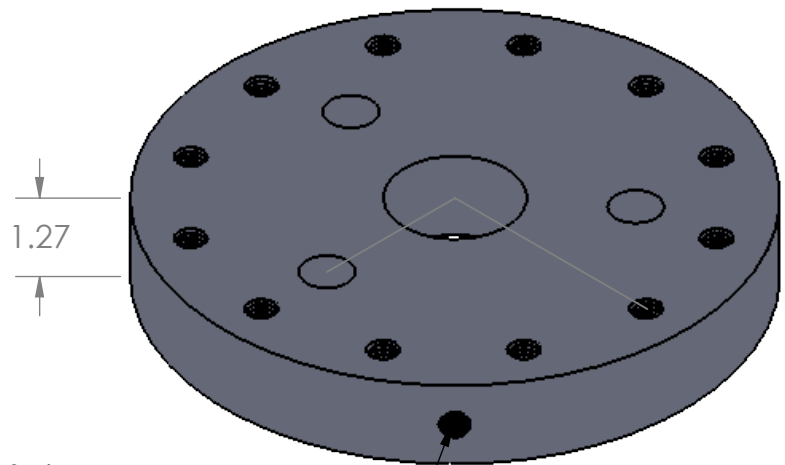
B

A

A



Isometric View



130 degrees away on left, 100 degrees away on right

Ø 8.60

Magnet Holes on either side are 130 degrees apart

Ø 0.40 THRU

Ø 0.75 ∇ 0.80

Ø 1.91 THRU

2.40

3.60

Magnet hole on left 100 degrees away, 130 degrees away on right

Ø 8.60

Ø 1.91 THRU

Ø 0.40 THRU

12 evenly spaced 10-32 thread taps, 1.27 cm deep

1/4-20 set screw, 1.27 cm (1/2") deep, doesn't intersect other threaded holes

8-32 Set screw that doesn't intersect other threaded holes and is placed halfway between top and bottom

All units are in centimeters

SIZE **B** ChanneledBottom SCALE: 1:1

DO NOT SCALE DRAWING

4

3

2

1