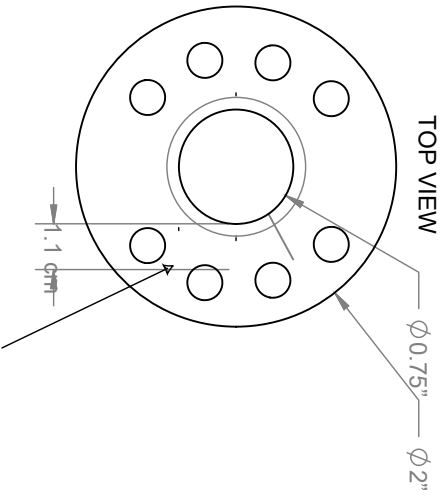
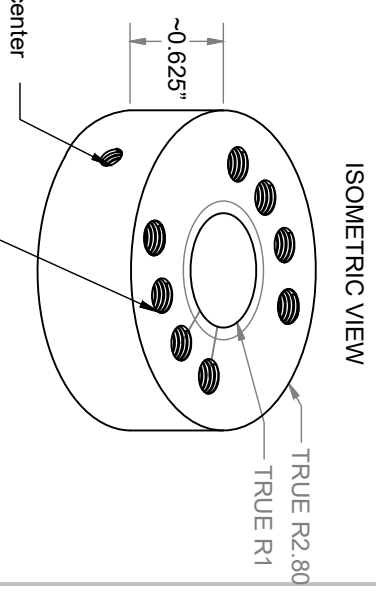


2

1



note: thru holes are threaded for first 0.2", end in FLAT bottom Do for each side. Thru hole between two threaded ends is 0.062" diam



#8-32 Set screw to center

1/4-28 thread on one side, 10-32 thread on other.

A

B

A

B

2

1

TITLE:		
Turbulator		
SIZE	RV	
MW Lab		
SCALE: 1:1 WEIGHT:	SHEET 1 OF 1	